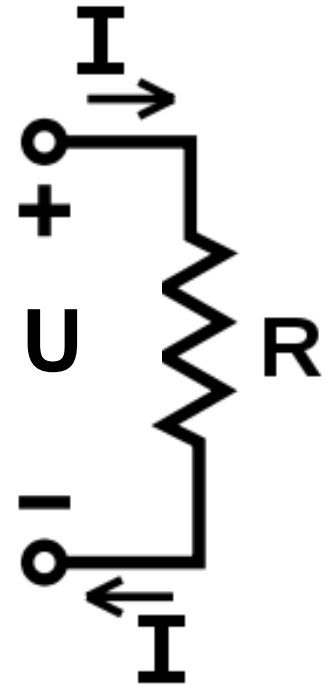


Ohm's Law

$$V = I \cdot R$$

- **V** is **Voltage**, the **Potential Difference** between two ends of a wire (or resistor, light bulb etc). Measured in **Volts [V]**
- **I** is **Electric Current**, the total charge flowing through the wire in 1 sec. Measured in **Amperes [A]** (Coulomb per second) :
1A=1C/s
- **R** is **Resistance** of the wire. Measured in **Ohms [Ω]**. **1 Ω =1V/A**



Serial connection:

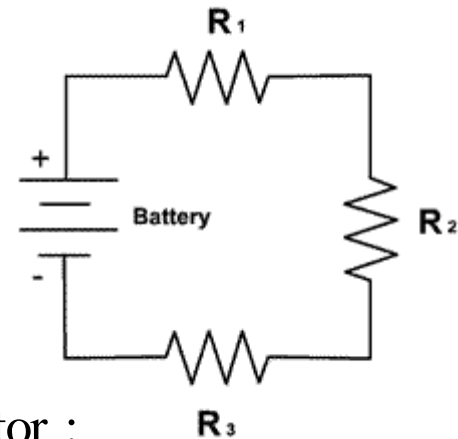
Current the same. Voltage adds up.

$$I_{total} = I_1 = I_2 = I_3$$

$$U_{total} = U_1 + U_2 + U_3$$

the circuit can be replaced with an single resistor :

$$R = \frac{U_{total}}{I_{total}} = R_1 + R_2 + R_3$$



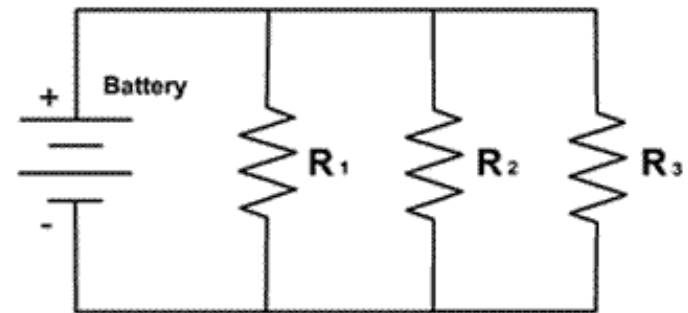
Parallel connection:

Voltage the same. Current adds up.

$$U_{total} = U_1 = U_2 = U_3$$

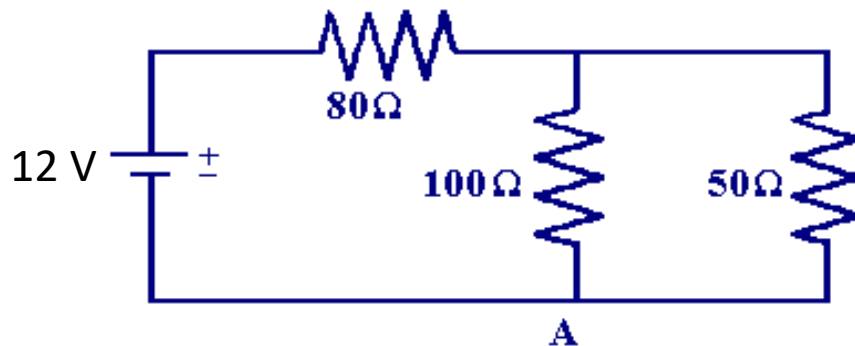
$$I_{total} = I_1 + I_2 + I_3$$

$$\frac{1}{R} = \frac{I_{total}}{U_{total}} = \frac{1}{R_1} + \frac{1}{R_2} + \frac{1}{R_3}$$



Homework

- Find the equivalent resistance and current in the circuit.
- Determine voltage on the 50 Ohm resistor, and the current running through it:



- You need to replace one of the resistors in the circuit above with a light bulb, so that the current through the bulb were the smallest possible. Which one will you replace?