

**Classwork 6. Algebra.**  
**Algebra.**



Everybody who was hired on or after 2015 need to pay 4% of their salary to the retirement fund. Is the relationship between the salary and the money paid to the retirement fund proportional? If so, what is the proportionality coefficient?

Let's denote the salary as  $s$  and the retirement payments as  $p$ . The relationship between these two variables is

$$p = 0.04 \cdot s$$

Fill the table:

$s$	\$10000	\$30000	\$60000	\$90000	\$100000	\$200000	\$300000
$p$							

Is the ratio  $\frac{p}{s}$  is the same?

6 pumps can pump out the water from the swimming pool in 10 hours. How many pumps are needed to do it in 5 hours? In 15 hours?

In what time 3 such pumps will do the job? 9 pumps?

$n$	1	3	6	9	12	15	18
$t$							

Is the relationship between  $n$  and  $t$  proportional?

Let's denote the volume of the swimming pool as 1 and it's constant. If 6 pumps will pump all water out in 10 hours, one pump will do it in  $10 \cdot 6 = 60$  hours. So, in 1 hour 1 pump will pump out  $\frac{1}{60}$  part of a pool.

$$\frac{1}{60} \cdot t \cdot n = 1, \quad \frac{t \cdot n}{60} = 1; \quad t \cdot n = 60 \text{ or } t = \frac{60}{n}$$

Write the expression (formula) for relationship and tell is it proportional or inversely proportional:

1. Dependence of a number of identical textbooks ( $m$ ) on a 90 cm long shelf from the thickness of a textbook ( $l$  (in cm.)).
2. Dependence the gas consumption  $V$  (in liters) from the distance driven  $s$  if for 1 km the car uses 0.08 liters of gasoline.
3. Dependence of the time  $t$  (in minutes) in which 200 pages can be printed on a printer from the printer productivity  $p$  of pages in minute.

### Problems with proportions:

To prepare 6 big pizzas the cook need to use 2.5 kg of flour. How many flour the cook will need to prepare 8 pizzas. We can write this problem as follows:

6 pizzas  $\rightarrow$  2.5 kg

8 pizzas  $\rightarrow$   $x$  kg

We can create several proportions:

1. How many kilograms of flour are needed to make one pizza:

$$\frac{2.5 \text{ kg.}}{6} = \frac{x \text{ kg.}}{8}$$

2. The flour consumption is proportional to number of pizza made, twice more pizzas, twice more flour should be used.

$$\frac{6}{8} = \frac{2.5 \text{ kg.}}{x \text{ kg.}}$$

3. Into how many pizzas 1 kilogram of flour goes.

$$\frac{6}{2.5 \text{ kg}} = \frac{8}{x \text{ kg.}}$$

For the first proportion:

$$\frac{2.5 \text{ kg.}}{6} = \frac{x \text{ kg.}}{8}; \quad 8 \cdot 2.5 \text{ kg} = 6 \cdot x \text{ kg.}; \quad x = \frac{8 \cdot 2.5 \text{ kg.}}{6} = \frac{4 \cdot 2.5 \text{ kg}}{3} = \frac{10}{3} = 3\frac{1}{3} \text{ kg.}$$

For the second and third:

$$\frac{6}{8} = \frac{2.5 \text{ kg.}}{x \text{ kg.}}; \quad 6 \cdot x \text{ kg} = 8 \cdot 2.5 \text{ kg}; \quad x = \frac{8 \cdot 2.5 \text{ kg.}}{6} = \frac{4 \cdot 2.5 \text{ kg}}{3} = \frac{10}{3} = 3\frac{1}{3} \text{ kg}$$

$$\frac{6}{2.5 \text{ kg}} = \frac{8}{x \text{ kg.}}; \quad 6 \cdot x \text{ kg} = 8 \cdot 2.5 \text{ kg}; \quad x = \frac{8 \cdot 2.5 \text{ kg.}}{6} = \frac{4 \cdot 2.5 \text{ kg}}{3} = \frac{10}{3} = 3\frac{1}{3} \text{ kg}$$

6 pizzas  $\rightarrow$  2.5 kg

8 pizzas  $\rightarrow$   $x$  kg

Tea was packaged in 30 packs of 150 grams each. How many packs will there be if the same amount of tea is packaged in 250-gram packs? We can write the problem in short as:

150 g.  $\rightarrow$  30 packs

250 g  $\rightarrow$   $x$  packs

We need to be careful to write a proportion: heavier pack, less packs we will obtain.

$$\frac{250}{150} \neq \frac{x}{30}; \quad \frac{250}{150} = \frac{30}{x};$$

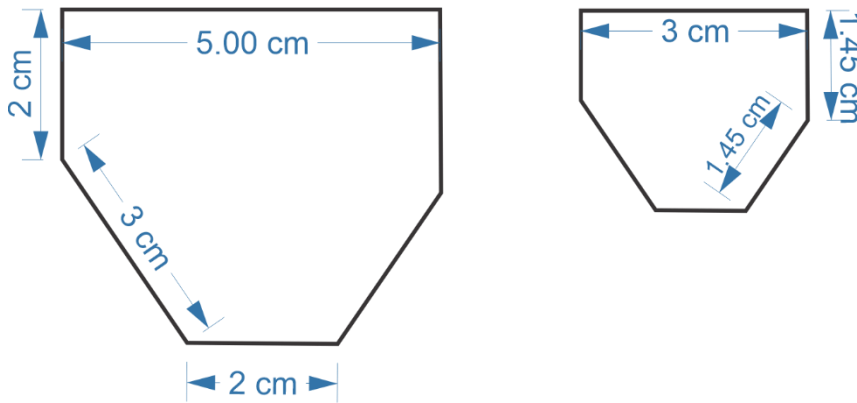
$$\frac{250}{150} = \frac{30}{x}; \quad 250x = 30 \cdot 150; \quad x = \frac{30 \cdot 150}{250} = 18 \text{ packs.}$$

This problem can be solved without writing the proportion, the number of packs, multiplied by the weight of a pack should be the same:

$$250g \cdot x = 30 \cdot 150 g.$$

**Exercises:**

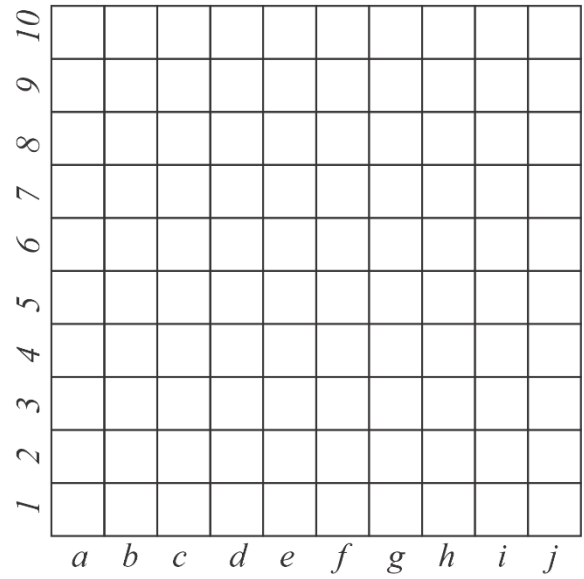
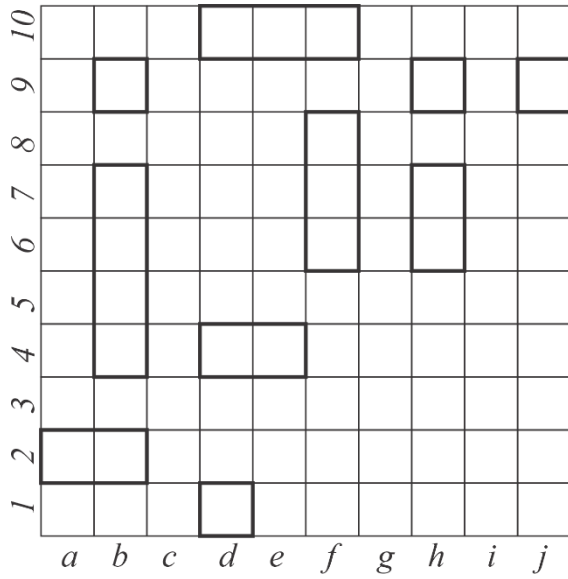
1. Mr. Robinson was paid \$590 for a job that required 40 hours of work. At this rate, how much should he be paid for a job requiring 60 hours of work?
2. If two pounds of meat will serve 5 people, how many pounds will be needed to serve 13 people?
3. Small shape below is a reduced copy of the big one. Find all missing sides. Find the ratio of the perimeters.



4. 6 oxen or 8 cows can graze a field in 28 days. How long would 9 oxen and 2 cows take to graze the same field?
5. 6 typists working 5 hours a day can type the manuscript of a book in 16 days. How many days will 4 typists take to do the same job, each working 6 hours a day?



Example:



Fields:

