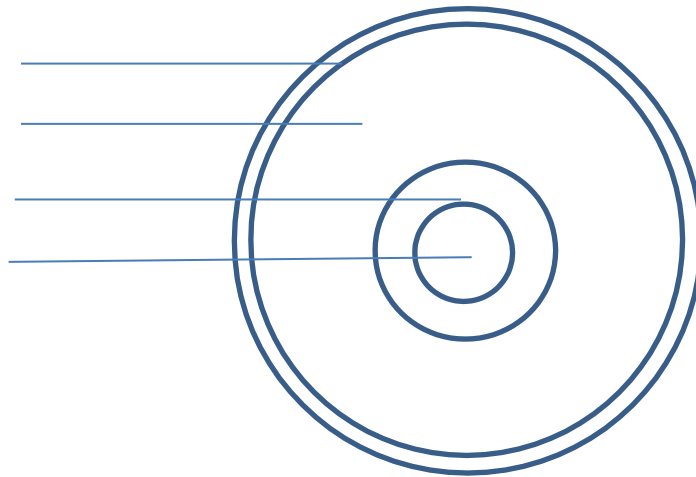


NAME:

1. Imagine the circles below represent the Earth's cross section (*not to scale*).
Label each layer.



2. Describe the Earth's core.

3. What is asthenosphere?

4. Which type of crust, *continental* or *oceanic*, is:

a. thicker?

b. younger (on average)?

5. Re-watch video shown in class (type the link into your browser):

<https://www.youtube.com/watch?v=UwWWuttntio>