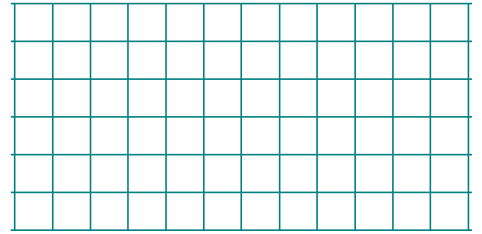


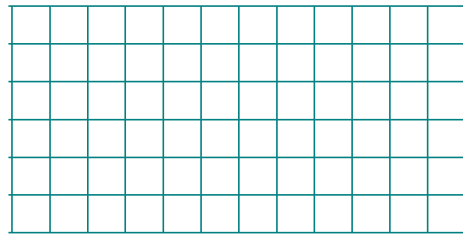
Lesson 12 HW

1 Write expressions to solve the word problems. Make any necessary diagrams.

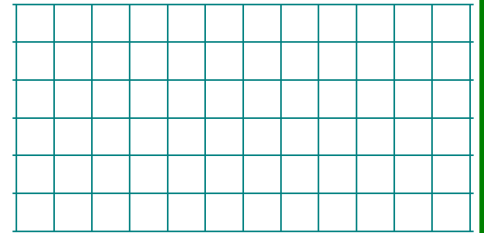
5 identical boxes hold x candies. How many candies are in 9 such boxes?



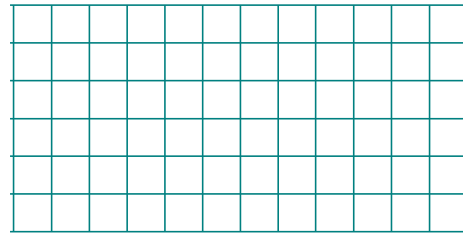
The total for x identical candies is b dollars. Little Joe spent d dollars on these candies. How many did he buy?



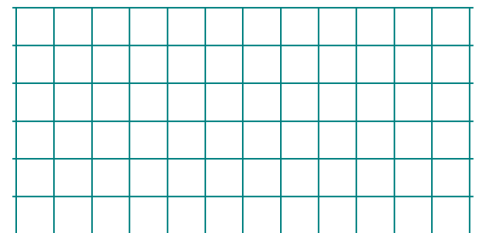
A tape transporter moves 20 meters in 4 seconds. How far does it move in w seconds?



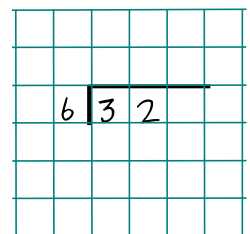
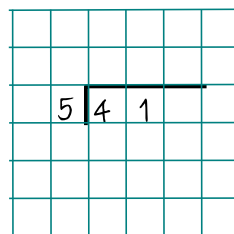
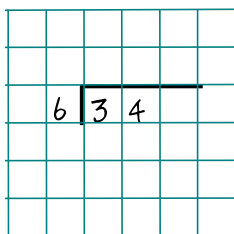
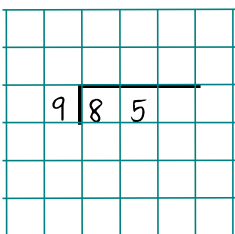
There are x oranges in each bowl on the table. Altogether there are q oranges. How many bowls are on the table?



There are x oranges and y apples in each bowl on the table. Altogether there are q fruits. How many bowls are on the table?

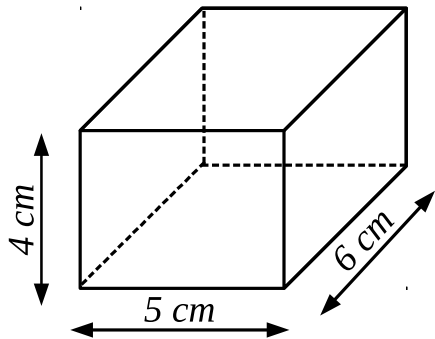


2 Divide with or without a remainder:

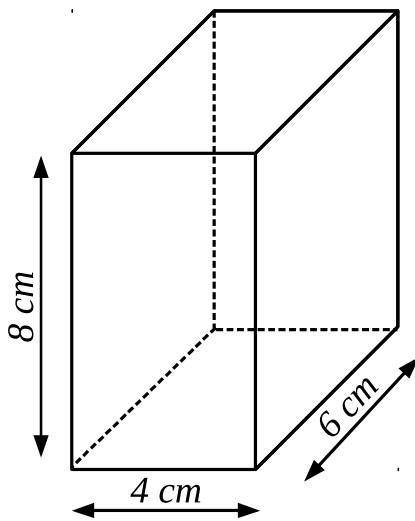


3

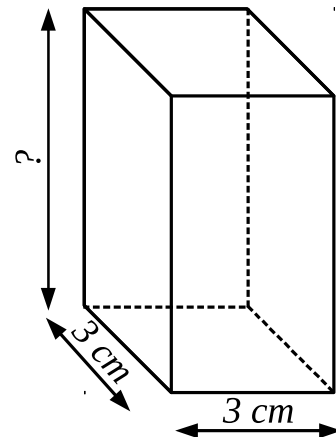
Find the missing values for each parallelepiped:



$$V = \underline{\hspace{2cm}}$$



$$V = \underline{\hspace{2cm}}$$



$$V = 63 \text{ cm}^3$$

4

Convert:

$$1 \text{ dm}^3 = 10 \text{ cm} \times 10 \text{ cm} \times 10 \text{ cm} = 1000 \text{ cm}^3$$

$$2 \text{ dm}^3 = \underline{\hspace{2cm}} \text{ cm}^3$$

$$4 \text{ dm}^3 = \underline{\hspace{2cm}} \text{ cm}^3$$

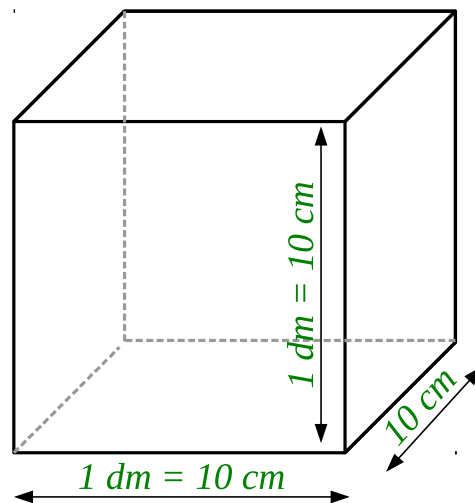
$$\underline{\hspace{2cm}} \text{ dm}^3 = 5000 \text{ cm}^3$$

$$6 \text{ dm}^3 = \underline{\hspace{2cm}} \text{ cm}^3$$

$$\underline{\hspace{2cm}} \text{ dm}^3 = 7000 \text{ cm}^3$$

$$\underline{\hspace{2cm}} \text{ dm}^3 = 8000 \text{ cm}^3$$

$$9 \text{ dm}^3 = \underline{\hspace{2cm}} \text{ cm}^3$$



$$10 \text{ dm}^3 = \underline{\hspace{2cm}} \text{ cm}^3$$

5

Calculate:

$$2 \times 8 \times 10,000 = \underline{\hspace{2cm}}$$

$$5600 \div 80 \times 10 = \underline{\hspace{2cm}}$$

$$50 \times 70 \times 100 = \underline{\hspace{2cm}}$$

$$28000 \div 70 \div 100 = \underline{\hspace{2cm}}$$

$$300 \times 90 \div 10 = \underline{\hspace{2cm}}$$

$$50 \times 80 \times 10 = \underline{\hspace{2cm}}$$

6

Multiply:

$$\begin{array}{r} 1900 \\ \times 60 \\ \hline \end{array}$$

$$\begin{array}{r} 650 \\ \times 70 \\ \hline \end{array}$$

$$\begin{array}{r} 260 \\ \times 800 \\ \hline \end{array}$$

$$\begin{array}{r} 7300 \\ \times 40 \\ \hline \end{array}$$

7

Which expressions does the program evaluate?

①: $m \times 4$

①: $5 \times x$

②: $z + p$

②: $12 \times y$

③: ① + ②

③: ① + ②

8

Solve the equations in your notebook. Check your answers and copy them here once they are correct.

81 : $y = 9$

$x - 25 = 40$

$5w = 35$

$q + 12 = 201$

$y = \underline{\hspace{2cm}}$

$x = \underline{\hspace{2cm}}$

$w = \underline{\hspace{2cm}}$

$q = \underline{\hspace{2cm}}$

9

Remove parentheses. Check your equalities for $a = 1$ and $b = 2$.

$300 - (a + b) = \underline{\hspace{4cm}}$

$300 - (1 + 2) = \underline{\hspace{4cm}}$

$29 - (5 + b) = \underline{\hspace{4cm}}$

$29 - (5 + 2) = \underline{\hspace{4cm}}$

$70 - (b - a) = \underline{\hspace{4cm}}$

$70 - (2 - 1) = \underline{\hspace{4cm}}$

$65 - (a + b + 5) = \underline{\hspace{4cm}}$

$65 - (1 + 2 + 5) = \underline{\hspace{4cm}}$

10 Set $A = \{a, 2, x, \square, 6\}$ Set $B = \{p, x, 2, \bigcirc\}$.

Make a Venn Diagram for these two sets.

$$A \cap B = \underline{\hspace{4cm}}$$

$$A \cup B = \underline{\hspace{4cm}}$$

11 Complete the statements according to the drawing.

$$AB \cap MN = \underline{\hspace{2cm}}$$

$$[MN) \cap AB = \underline{\hspace{2cm}}$$

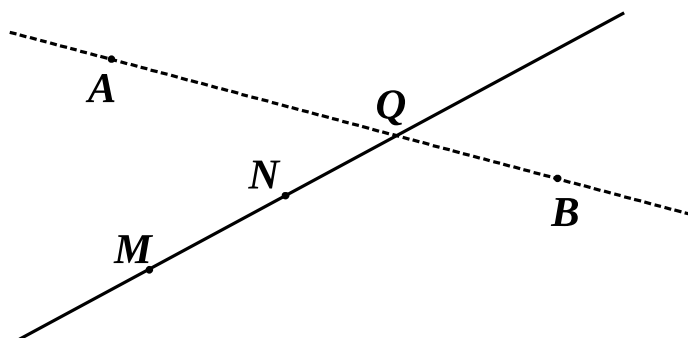
$$[NM) \cap AB = \underline{\hspace{2cm}}$$

$$[MN) \cap [NQ) = \underline{\hspace{2cm}}$$

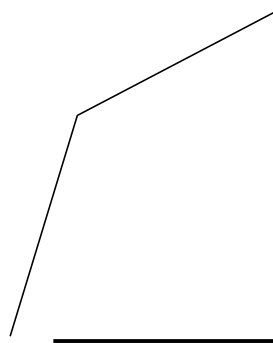
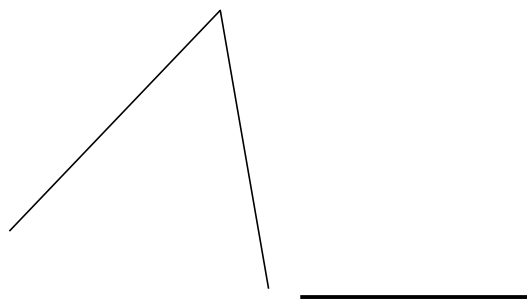
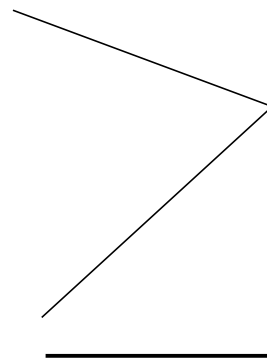
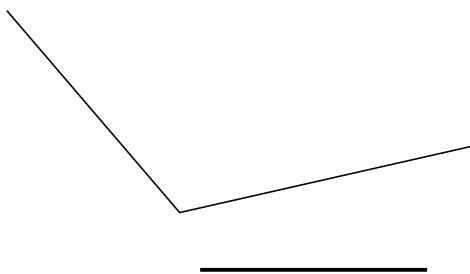
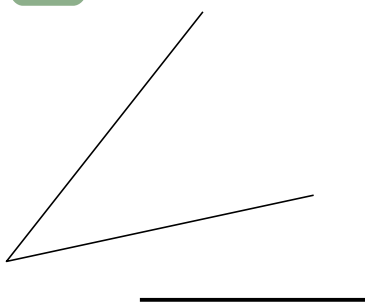
$$[AQ) \cap [QB) = \underline{\hspace{2cm}}$$

$$[AQ) \cap [QB) = \underline{\hspace{2cm}}$$

$$[AB) \cap [MN) = \underline{\hspace{2cm}}$$



12 Measure the angles below with a protractor:



- 13** Count the number of operations in each expression including the hidden operations.

Expression	Number of operations
$12y$	
$42 - (w + 3)$	
$2x - 3y$	
$4q - 10$	
$3 + 7 - w + (m - 3)$	

Operations of **multiplication** might be hidden in an expression:

$$7x = 7 \cdot x$$

- 14** Rex is 2kg heavier than Fluffy and 9 kg lighter than Barbos. Which among Fluffy and Barbos is heavier and how much?

_____ is _____ kg heavier.

—————●—————
R

- 15** Three mice brothers were playing soccer, Jake the Mouse, Little Joe and Pop Eye. One of them accidentally broke car window. When the cat who owned the car came, they tried to explain what happened:

JM: *LJ broke the window.*

PY: *I did not break the window.*

Only one of the mice told the truth.

Who broke the window?



