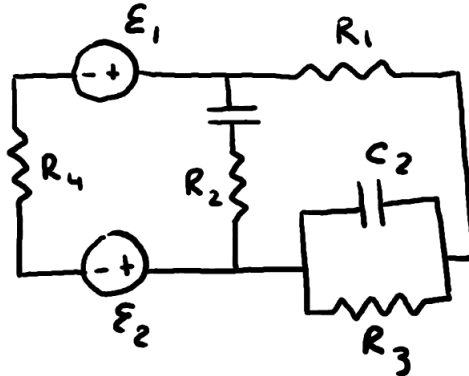
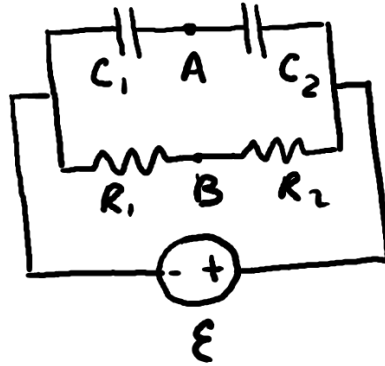


Homework 8

1. Find charges on capacitors C_1 and C_2 in the circuit below:



2. Find potential difference between points A and B:



3. Find charge passed through key K after it is closed:

